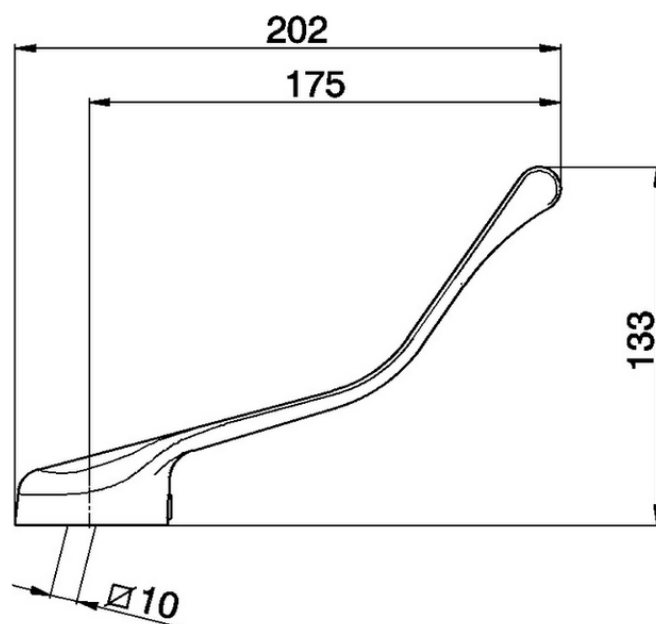


Leva clinica monocomando COMPLEMENTI_ZA005001

ZA005001

<https://www.cisal.it/leva-clinica-monocomando-complementi-za005001>

2026-07-02