

Miscelatore lavello KITCHEN_BA000530



MODELLO **BA000530**

Miscelatore lavello, bocca girevole, flex inox G.3/8"

FINITURE DISPONIBILI

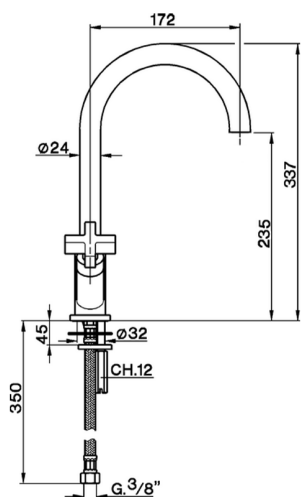


21 21 Cromo



2A 2A Nichel Satinato Spazzolato

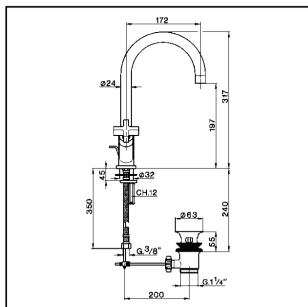
CARATTERISTICHE



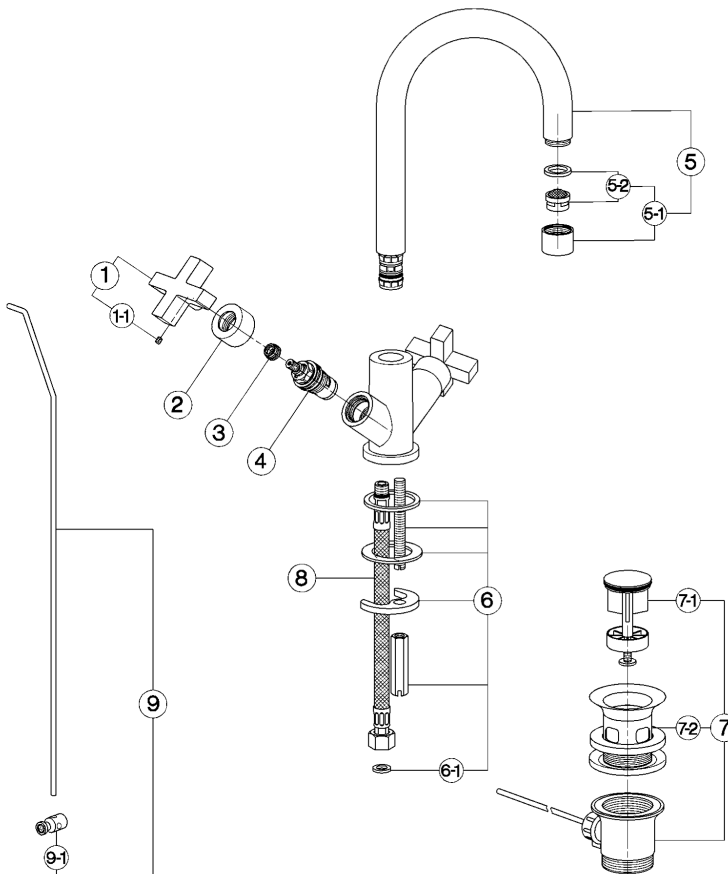
Miscelatore lavello KITCHEN_BA000530

cisal

BA 00052 (BA 00053)



- Monoforo lavabo
- Single hole basin mixer
- Einloch-Waschtischbatterie
- Mélangeur monotrou lavabo



bar	PORTATA BOCCA DI EROGAZIONE * SPOUT FLOW RATE DURCHFLOSS WANNENEINLAUF DEBIT BEC DEVERSEUR l/min.
0.5	6
1	8
2	11.5
3	14
4	16
5	18

* con resistenza silenziosa della classe di portata A (15 l/min. a 3 bar)
with hydraulic resistance of flow rate class A (15 l/min. at 3 bar)
mit geräuscharmen Widerstand der Durchflussklasse A (15 l/min. bei 3 bar)
avec aérateur classe A (15 l/min. à 3 bar)

NR.	DESCRIZIONE DESCRIPTION BESCHREIBUNG DESCRIPTION	N. CODICE CODE NO. WERKSNR. NR. CODE	NR.	DESCRIZIONE DESCRIPTION BESCHREIBUNG DESCRIPTION	N. CODICE CODE NO. WERKSNR. NR. CODE	NR.	DESCRIZIONE DESCRIPTION BESCHREIBUNG DESCRIPTION	N. CODICE CODE NO. WERKSNR. NR. CODE
1	Maniglia "BA" per monofori Handle "BA" for single hole mixer Griff "BA" 1/Einloch-Batterien Crosillon "BA" pour mélangeur monotrou	ZZ 93289 0	5-1	Aeratore M.22x1 IA Cascade Mousseur M.22x1 IA Cascade Perlator M.22x1 IA Cascade Mousseur M.22x1 IA Cascade	ZZ 93283 0	7-2	Piletta per scarico automatico 1" 1/4 Waste for bath drain 1" 1/4 Ablauf 1/Ablaufgarnitur 1" 1/4 Crépine pour vidage 1" 1/4	ZZ 92924 0
1-1	Grano punta plana inox M.4x4 Screw-stainless steel M.4x4 Madenschraube M.4x4 Vis speciale inox M.4x4	ZZ 93328 0	5-2	Cartuccia per aeratore M. 22x1 Cascade Mousseur cartridge M.22x1 Cascade Kart. 1/Perlator M.22x1 Cascade Cartouche x mousseur M.22x1 Cascade	ZZ 93339 0	8	Flessibile M.11x1 3/8" L.365 Flex M.11x1 3/8" L.365 Anschlussschlauch M.11x1 3/8" L.365 Flex M.11x1 3/8" L.365	ZZ 92842 0
2	Cappuccio cognivitone "BA" Escutcheon "BA" Abdeckklappe "BA" Rosace couvre-tête "BA"	ZZ 93327 0	6	Set installazione monocomando monotrou Installation set single hole Befestigungsset Set installation	ZZ 92899 0	9	Astina scarico completa Ø4 Rod Ø4 Zugstange Ø4 Tige Ø4	ZZ 93340 0
3	Riduzione brocciata completa Complete broached reduction piece Verkürzung Raumwerkzeug komplett Reduction avec brochage complète	ZZ 93330 0	6-1	Guarnizione fibra 3/8" Gasket rubber 3/8" Fiberdichtung 3/8" Joint en fibre 3/8"	ZZ 92696 0	9-1	Morsello astina scarico automatico Connection for pop-up rod Gelenkstück 1/Zugstange Jonction x tige vidage	ZZ 93343 0
4	Vitone ceramico 1/2" DX 90° Ceramic headvalve 1/2" right 90° Keramikoberteil 1/2" - rechts - 90° Tête céram. 1/2" droite 90°	ZZ 92907 0	7	Scarico automatico 1" 1/4 sabbato Pop-up waste 1" 1/4 Ablaufgarnitur 1" 1/4 Vidage automat. 1" 1/4	ZZ 92754 0			
5	Canna alta Ø24 interasse 172 Swinging spout 172 Ø24 Auslauf-Rohr-Ø-172 Ø24 Bec orientable 172 Ø24	ZZ 93285 0	7-1	Tappo completo scarico automatico 1" 1/4 Plug for pop-up waste 1" 1/4 Stöpsel 1/Ablaufg. kpl 1" 1/4 Bonde - vidage 1" 1/4	ZZ 92925 0			

BA.11

BA000530

<https://www.cisal.it/miscelatore-lavello-kitchen-ba000530>

2026-06-23