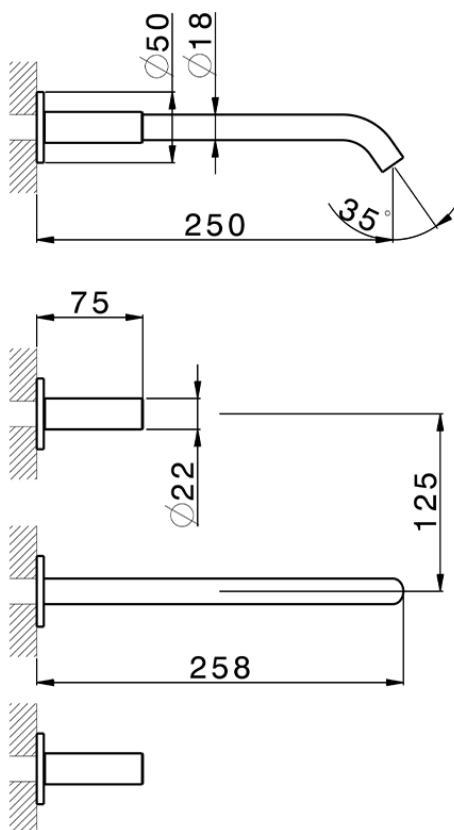


## Parte esterna lavabo a parete SMOOTH X32\_X3013511



X3013511

<https://www.cisal.it/parte-esterna-lavabo-a-parete-smooth-x32-x3013511>



| Serie's code | Size XX |
|--------------|---------|
| CX 1351      | 20-35   |
| CF 1351      | 20-35   |
| CX 0331      | 20-35   |
| CF 0331      | 20-35   |
| CX 0200      | 20-35   |
| CF 0200      | 20-35   |
| BA 1351      | 20-35   |
| GS 1351      | 20-35   |
| GL 1351      | 20-35   |
| MN 1351      | 20-35   |
| LN 1351      | 20-35   |
| LV 1351      | 33-48   |
| LY 1351      | 33-48   |
| CU 1351      | 33-48   |
| SM 1351      | 30-45   |
| AA 1351      | 10-30   |
| AC 1351      | 10-30   |
| AR 1351      | 15-25   |
| PZ 1351      | 10-30   |
| RG 1351      | 10-30   |
| TS 1351      | 10-30   |
| VT 1351      | 10-30   |
| CS 1351      | 10-30   |
| WA 1351      | 45-68   |
| X1 1351      | 33-45   |
| X2 1351      | 33-45   |
| X3 1351      | 33-45   |
| X4 1351      | 33-45   |
| X5 1351      | 33-45   |
| RI 1351      | 20-35   |
| RM 1351      | 20-35   |

Limiti di tolleranza superficie piastrelle  
 Adjustment limits for finished tile surface  
 Limites de tolérance surface carrelage  
 Fliesenoberfläche  
 Superficie del azulejo

ZA033510

<https://www.cisal.it/parte-incasso-lavabo-a-parete-incasso-za033510>

2026-05-30