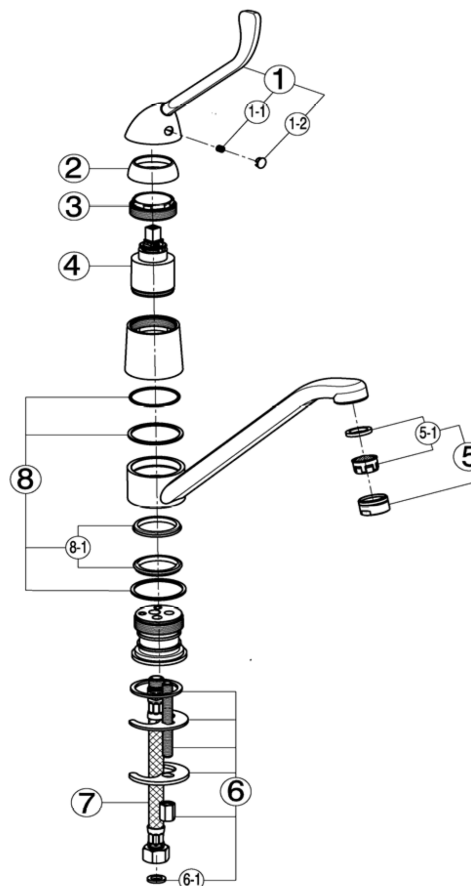
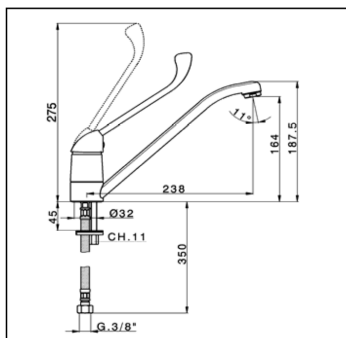


Miscelatore monocomando livello CLINIC CL000580

cisal

CL 00058



NR.	DESCRIZIONE DESCRIPTION BESCHREIBUNG DESCRIPTION	N.CODICE CODE NO. WERSKNR. NR.CODE	NR.	DESCRIZIONE DESCRIPTION BESCHREIBUNG DESCRIPTION	N.CODICE CODE NO. WERSKNR. NR.CODE	NR.	DESCRIZIONE DESCRIPTION BESCHREIBUNG DESCRIPTION	N.CODICE CODE NO. WERSKNR. NR.CODE
1	Leva monocomando "CL" Lever "CL" Hebel "CL" Levier "CL"	ZA005020	5	Aeratore M.24x1 IA Mousseur M.24x1 IA Perlator M.24x1 IA Mousseur M.24x1 IA	ZZ928360	8-1	Guarnizione Gaco 39,6x30,3x4 NBR 70SH Gaco gasket 39,6x30,3x4 NBR 70SH Gaco Dichtungen 39,6x30,3x4 NBR 70SH Joint "Gaco" 39,6x30,3x4 NBR 70SH	ZZ940750
1-1	Grano punta coppa inox M.5x6 Screw-stainless steel M.5x6 Madenschraube M.5x6 Vis speciale inox M.5x6	ZZ940630	5-1	Cartuccia per aeratore M. 24x1 Mousseur cartridge M.24x1 Kart. f/Perlator M.24x1 Cartouche x mousseur M.24x1	ZZ926950			
1-2	Piacchetta per leva Cap for lever Abdeckkappe f/Hebel Plaqueette levier	ZZ940640	6	Set installazione monocomando monoforo Installation set single hole Befestigungsset Set installation	ZZ940690			
2	Copricartuccia senza ideogrammi Escutcheon cartridge without ideogram Abdeckkappe ohne Ideogramm Couvre-cartouche sans ideogramme	ZZ940650	6-1	Guarnizione fibra 3/8" Gasket rubber 3/8" Fiberdichtung 3/8" Joint en fibre 3/8"	ZZ926960			
3	Calotta bloccaggio cartuccia Nut for mixing valve Mutter f/kartusche Ecorou pour cartouche	ZZ940660	7	Flessibile M.11x1 3/8" F L.365 Flex M.11x1 3/8" L.365 Anschluss Schlauch M.11x1 3/8" L.365 Flex M.11x1 3/8" L.365	ZZ928420			
4	Cartuccia monocomando Mixing valve Kartusche Cartouche mitigeurs	ZZ940350	8	Set guarnizioni per lavello canna girev. Gaskets' set f/sink mixer w/swing.spout Befestigungsset f.SP mit schwenk.Ausl. Set joints pour évier bec mobile	ZZ940740			

CL000580

<https://www.cisal.it/miscelatore-monocomando-lavello-clinic-cl000580>