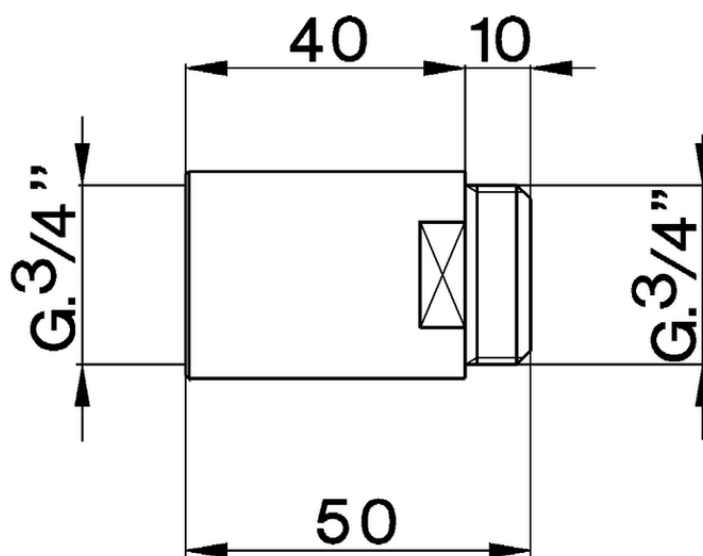


**Prolunga COMPLEMENTI\_ZA003770**

ZA003770

<https://www.cisal.it/prolunga-complementi-za003770>

2026-05-25