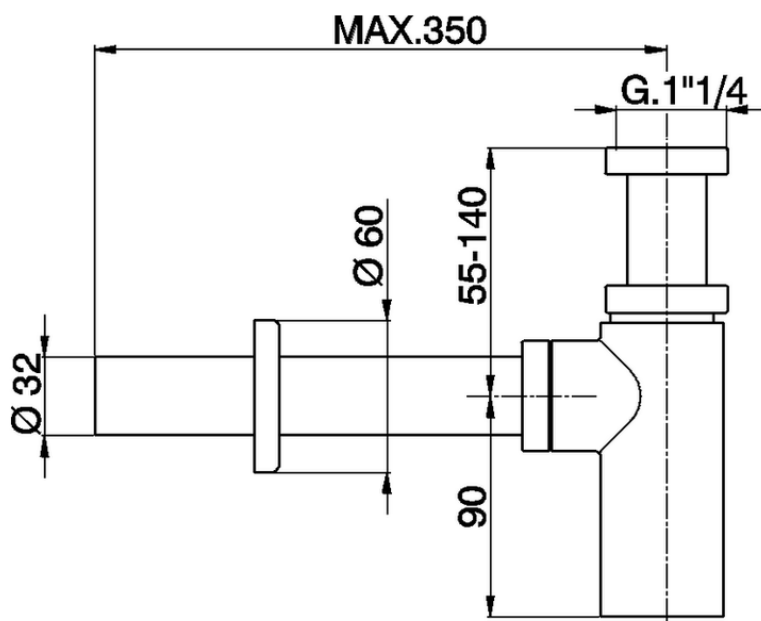


Sifone minimale 1"1/4 COMPLEMENTI_ZA004042

ZA004042

<https://www.cisal.it/sifone-minimale-11-4-complementi-za004042>

2026-06-23