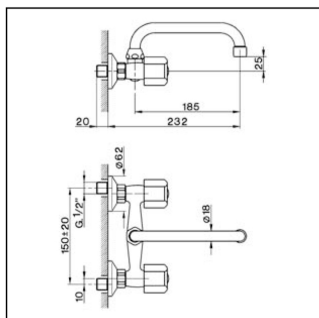


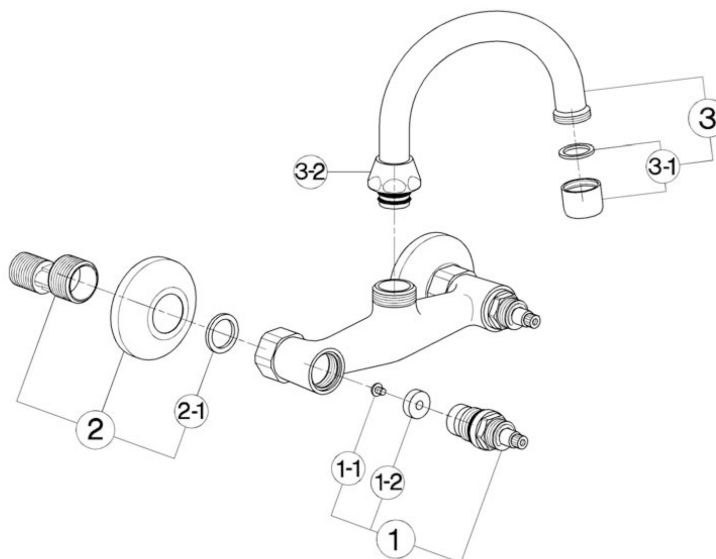
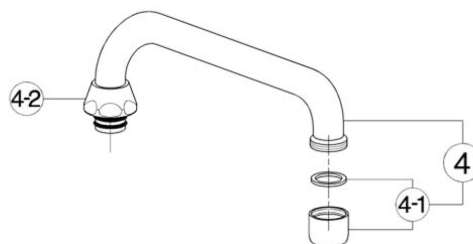
## Miscelatore lavello a parete TR\_TR000430

**cisal**

### TR 00041 (TR 00043)



- Gruppo lavello
- Sink mixer
- Spültisch-Wandbatterie
- Mélangeur évier mural



| bar | PORTATA BOCCA DI EROGAZIONE *<br>SPOUT FLOW RATE<br>DURCHFLOSS WÄNNENEINLAUF<br>DEBIT BEC DÉVERSEUR<br>l/min. |
|-----|---|
| 0.1 | 20.5  |
| 0.2 | 27.5  |
| 0.3 | 36  |
| 0.4 | 41.5  |
| 0.5 | 46.5  |
| 1   | 66  |

\* con rompigetto  
with antispash  
mit Strahlregler  
avec brise-jet

| NR. | DESCRIZIONE<br>DESCRIPTION<br>BESCHREIBUNG<br>DESCRIPTION  | N. CODICE<br>CODE NO.<br>WERKSNR.<br>NR. CODE | NR. | DESCRIZIONE<br>DESCRIPTION<br>BESCHREIBUNG<br>DESCRIPTION   | N. CODICE<br>CODE NO.<br>WERKSNR.<br>NR. CODE | NR. | DESCRIZIONE<br>DESCRIPTION<br>BESCHREIBUNG<br>DESCRIPTION | N. CODICE<br>CODE NO.<br>WERKSNR.<br>NR. CODE |
|-----|--|---|-----|---|---|-----|---|---|
| 1   | Vitone 1/2" "TR"<br>Headvalve 1/2" "TR"<br>Oberteil 1/2" "TR"<br>Tête 1/2" "TR"  | ZZ 92869 0                                    | 3-1 | Rompigetto M.22x1<br>Antispash M.22x1<br>Strahlregler M.22x1<br>Brise-jet M.22x1                          | ZZ 92771 0                                    |     |   |   |
| 1-1 | Vite M.4x4.5 tb. Ø8 t.cr.<br>Screw M.4x4.5<br>Schraube M.4x4.5<br>Vis M.4x4.5  | ZZ 92625 0                                    | 3-2 | Calotta 3/4" es.29 Ø19.5<br>Nut 3/4" Ø19.5<br>Mutter 3/4" Ø19.5<br>Ecrrou 3/4" Ø19.5                      | ZZ 92615 0                                    |     |   |   |
| 1-2 | Guarnizione NBR 90 SH. 16.9x5.5x5<br>Gasket NBR 90 SH. 16.9x5.5x5<br>Dichtung NBR 90 SH. 16.9x5.5x5<br>Joint NBR 90 SH. 16.9x5.5x5 | ZZ 92699 0                                    | 4   | Canna a U Ø18 interasse 185<br>Swinging spout 185 Ø18<br>Auslauf-Rohr-U-185 Ø18<br>Bec orientable 185 Ø18 | ZZ 92736 0                                    |     |   |   |
| 2   | Eccentrico con rosone<br>Eccentric connection with escutcheon<br>S - Anschluss m. Rosette<br>Eccentrique + rosace                  | ZZ 92730 0                                    |     | Rompigetto M.22x1<br>Antispash M.22x1<br>Strahlregler M.22x1<br>Brise-jet M.22x1                          | ZZ 92771 0                                    |     |   |   |
| 2-1 | Guarnizione NBR 90 SH. 24x16x2.7<br>Gasket NBR 90 SH. 24x16x2.7<br>Dichtung NBR 90 SH. 24x16x2.7<br>Joint NBR 90 SH. 24x16x2.7     | ZZ 92689 0                                    | 4-2 | Calotta 3/4" es.29 Ø19.5<br>Nut 3/4" Ø19.5<br>Mutter 3/4" Ø19.5<br>Ecrrou 3/4" Ø19.5                      | ZZ 92615 0                                    |     |   |   |
| 3   | Canna alta Ø18 interasse 155<br>Swinging spout 155 Ø18<br>Auslauf-Rohr-U-155 Ø18<br>Bec orientable 155 Ø18                         | ZZ 92737 0                                    |     |   |   |     |   |   |

TR000430

<https://www.cisal.it/miscelatore-lavello-a-parete-tr-tr000430>

2026-07-07