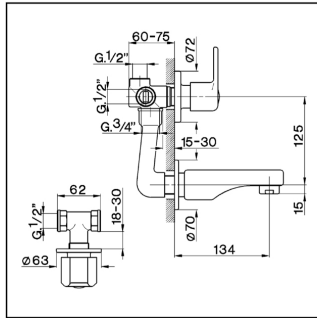


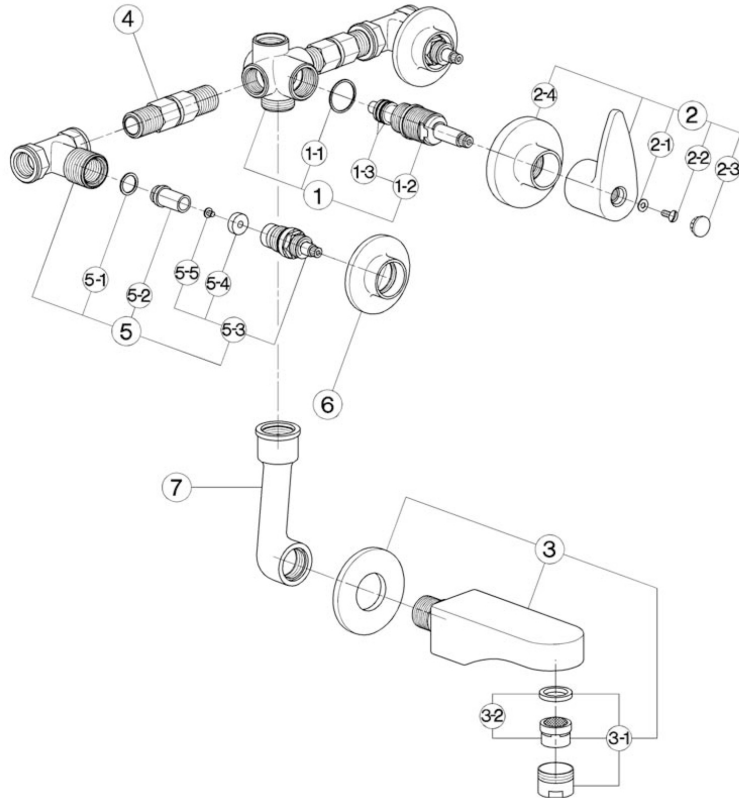
## Deviatore incasso 2 uscite TR\_TR000200

**cisal**

### TR 00021 (TR 00020 - TR 00030)



- Gruppo vasca - doccia incasso
- Concealed bath-shower mixer
- UP-Badebatterie
- Mélangeur bain/douche à encastrer



bar	PORTATA BOCCA DI EROGAZIONE * SPOUT FLOW RATE DURCHFLOSS WANNENEINLAUF DEBIT BEC DEVERSEUR l/min.
0.5	10
1	14
2	20
3	24.5
4	28
5	31.5

\* con resistenza silenziosa della classe di portata C (30 l/min. a 3 bar)  
with hydraulic resistance of flow rate class C (30 l/min. at 3 bar)  
mit geräuscharmen Widerstand der Durchflussklasse C (30 l/min. bei 3 bar)  
avec aérateur classe C (30 l/min. à 3 bar)

NR.	DESCRIZIONE DESCRIPTION BESCHREIBUNG DESCRIPTION	N. CODICE CODE NO. WERKSNR. NR. CODE	NR.	DESCRIZIONE DESCRIPTION BESCHREIBUNG DESCRIPTION	N. CODICE CODE NO. WERKSNR. NR. CODE	NR.	DESCRIZIONE DESCRIPTION BESCHREIBUNG DESCRIPTION	N. CODICE CODE NO. WERKSNR. NR. CODE
1	Gruppo deviazione incasso "TR" Diverter concealed "TR" Umstelloberteil "TR" Inverseur B/D "TR"	ZZ 92733 0	3	Bocca per incasso Spout concealed Auslauf-UP Bec à encastrer	ZA 00024 0	5-5	Vite M.4x4.5 tb. Ø8 l.cr. Screw M.4x4.5 Schraube M.4x4.5 Vis M.4x4.5	ZZ 92625 0
1-1	Guarnizione fibra 27x24x1 Gasket rubber 27x24x1 Fiberdichtung 27x24x1 Joint en fibre rouge 27x24x1	ZZ 92687 0	3-1	Aeratore M.28x1 IC Mousseur M.28x1 IC Perlator M.28x1 IC Mousseur M.28x1 IC	ZZ 92837 0	6	Cappuccio per rubinetto incasso "TR" Escutcheon for concealed stop cock "TR" Abdeckkappe "TR" Rosace - robinet "TR"	ZZ 92593 0
1-2	Vilone per deviazione incasso Diverging valve for concealed mixer Umstelloberteil Tête pour inverseur	ZZ 92769 0	3-2	Cartuccia per aeratore M. 28x1 Mousseur cartridge M.28x1 Kart. 1/Perlator M.28x1 Cartouche x mousseur M.28x1	ZZ 92694 0	7	Raccordo collegamento a pipa per incasso Connection for concealed mixer UP - Verbindungsset Raccord x mel. B/D à encastrer	ZZ 92592 0
1-3	O.R. 11 NBR 75 SH. O.R. 11 NBR 75 SH. O.R. 11 NBR 75 SH.	ZZ 92690 0	4	Raccordo universale per gruppo incasso Connection for concealed mixer Stand-Anschluss Raccord universel	ZZ 92600 0			
2	Maniglia e cappuccio deviazione incasso "TR" Handle with escutcheon for diverter "TR" Griff + Kappe UP - Umst. "TR" Croisillon + rosace "TR"	ZZ 90012 0	5	Rubinetto incasso 1/2" Concealed stop cock 1/2" Unterputventil 1/2" Robinet à encastrer 1/2"	ZZ 92732 0			
2-1	Rondella ottone 10x4.5x0.8 Ring in brass 10x4.5x0.8 Unterlegscheibe 10x4.5x0.8 Joint laiton 10x4.5x0.8	ZZ 92663 0	5-1	Guarnizione alluminio cotto 18x14,2x1 Gasket aluminium 18x14,2x1 Dichtung 18x14,2x1 Joint aluminium 18x14,2x1	ZZ 92667 0			
2-2	Vite M.4.5x10 tb. tc. zigrinata Screw M.4.5x10 Schraube M.4.5x10 Vis M.4.5x10	ZZ 92609 0	5-2	Sede per rubinetto incasso Seat for concealed stop cock Sitz t/UP - Ventil Siege robinet encastrer	ZZ 92611 0			
2-3	Placchetta a scatto deviatore vasca "TR" Cap for diverter "TR" Abdeckkappe "TR" Plaque cache - vis inverseur "TR"	ZZ 92610 0	5-3	Vitone 1/2" "TR" Headvalve 1/2" "TR" Oberteil 1/2" "TR" Tête 1/2" "TR"	ZZ 92869 0			
2-4	Cappuccio centrale per dev. gruppo incasso Escutcheon for concealed diverter Abdeckkappe Rosace - inverseur à encastrer	ZZ 92594 0	5-4	Guarnizione NBR 90 SH. 16,9x5,5x5 Gasket NBR 90 SH. 16,9x5,5x5 Dichtung NBR 90 SH. 16,9x5,5x5 Joint NBR 90 SH. 16,9x5,5x5	ZZ 92699 0			

TR000200

<https://www.cisal.it/deviatore-incasso-2-uscite-tr-tr000200>

2025-05-12