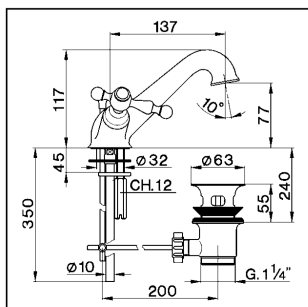


Miscelatore lavabo ARCANA AMERICA_AA000510

cisal

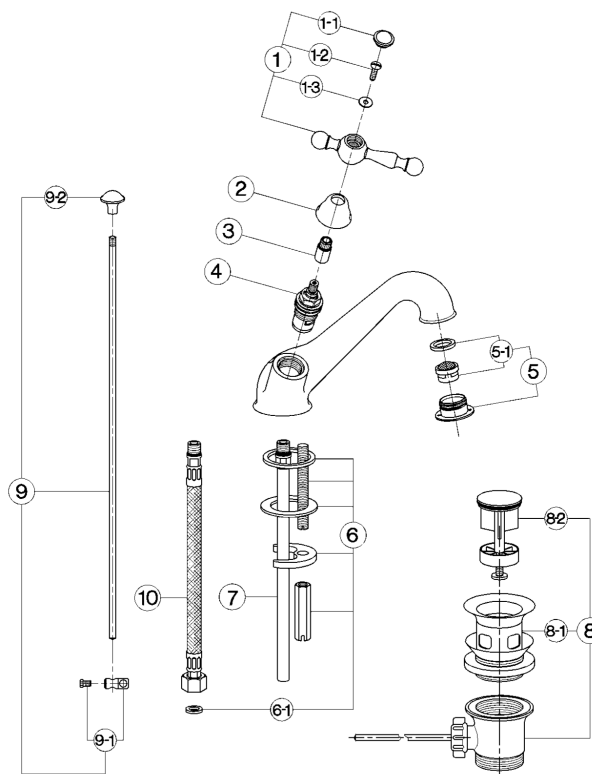
AA 00051



- Monoforo lavabo
- Single hole basin mixer
- Waschtisch-Einlochbatterie
- Mélangeur monotrou lavabo

bar	PORTATA BOCCA DI EROGAZIONE * SPOUT FLOW RATE DURCHFLOSS WANNENEINLAUF DEBIT BEC DEVERSEUR l/min.
0.5	10
1	13.5
2	19
3	24
4	27.5
5	30.5

* con resistenza silenziosa della classe di portata B (25.2 l/min. a 3 bar)
with hydraulic resistance of flow rate class B (25.2 l/min. at 3 bar)
mit geräuscharmen Widerstand der Durchflussklasse B (25.2 l/min. bei 3 bar)
avec aérateur classe B (25.2 l/min. à 3 bar)



NR.	DESCRIZIONE DESCRIPTION BESCHREIBUNG DESCRIPTION	N. CODICE CODE NO. WERKSNR. NR. CODE	NR.	DESCRIZIONE DESCRIPTION BESCHREIBUNG DESCRIPTION	N. CODICE CODE NO. WERKSNR. NR. CODE	NR.	DESCRIZIONE DESCRIPTION BESCHREIBUNG DESCRIPTION	N. CODICE CODE NO. WERKSNR. NR. CODE
1	Leva "AA" con vite e placchetta Lever with screw and plate "AA" Hebel "AA" mit Schraube und Abdeckplatte Lévier "AA" avec vis et plaque	ZZ 92974 0	5-1	Cartuccia per aeratore M. 24x1 Mousseur cartridge M.24x1 Kart. 1/Perforator M.24x1 Cartouche x mousseur M.24x1	ZZ 92695 0	9-2	Pomolo per scarico automatico "AR" Knob for pop-up rod "AR" Zugknopf 1/Ablaufgarn."AR" Pommeau - lige "AR"	ZZ 92624 0
1-1	Placchetta a vite maniglia "AR" Cap for handle "AR" Abdeckplatte "AR" Griff Plaque cache - vis crois. "AR"	ZZ 92617 0	6	Set installazione monocomando monoforo Installation set single hole Befestigungsset Set installation	ZZ 92851 0	10	Flessibile M.11x1 3/8" L.365 Flex M.11x1 3/8" L.365 Anschlusschlauch M.11x1 3/8" L.365 Flex M.11x1 3/8" L.365	ZZ 92842 0
1-2	Vite M.4x20 lb. lc. zigrinata Screw M.4x20 Schraube M.4x20 Vis M.4x20	ZZ 92650 0	6-1	Guarnizione fibra 3/8" Gasket rubber 3/8" Fiberdichtung 3/8" Joint en fibre 3/8"	ZZ 92696 0			
1-3	Rondella ottone 12x4,3x1 Ring in brass 12x4,3x1 Unterlegscheibe 12x4,3x1 Joint latton 12x4,3x1	ZZ 92673 0	7	Tubetto monoforo "SU" con O.R. Tube with O.R. "SU" Anschlussrohre mit O.R. "SU" Tube "SU" avec O.R.	ZZ 92838 0			
2	Cappuccio coprivite 032 H.21 "AC" Escutcheon 032 H.21 "AC" Abdeckplatte 032 H.21 "AC" Rosace couvre-tête 032 H.21 "AC"	ZZ 92652 0	8	Scarico automatico 1" 1/4 sabbaiato Pop-up waste 1" 1/4 Ablaufgarnitur 1" 1/4 Vidage automat. 1" 1/4	ZZ 92754 0			
3	Prolunga asta vitone monoforo "AA" Extension for headvalve "AA" Verlängerung 1/Einlochbatterie "AA" Rallonge levier "AA"	ZZ 92671 0	8-1	Piletta per scarico automatico 1" 1/4 Waste for bath drain 1" 1/4 Ablauf 1/Ablaufgarnitur 1" 1/4 Crespine pour vidage 1" 1/4	ZZ 92924 0			
4	Vitone ceramico 1/2" DX 90° Ceramic headvalve 1/2" right 90° Keramikoberteil 1/2" - rechts - 90° Tête céram. 1/2" droite 90°	ZZ 92907 0	8-2	Tappo completo scarico automatico 1" 1/4 Plug for pop-up waste 1" 1/4 Stopfen 1/Ablaufg. apl 1" 1/4 Bonde - vidage 1" 1/4	ZZ 92925 0			
4	Vitone ceramico 1/2" SX 90° Ceramic headvalve 1/2" left 90° Keramikoberteil 1/2" - links - 90° Tête céram. 1/2" gauche 90°	ZZ 92906 0	9	Astina scarico completa Ø6 Rod Ø6 Zugstange Ø6 Tige Ø6	ZZ 92759 0			
5	Bordino con aeratore M. 24x1 "AR" Overfill with mousseur M.24x1 "AR" Perforator M.24x1 "AR" Garniture avec mousseur M.24x1 "AR"	ZZ 92785 0	9-1	Morsetto astina scarico automatico Ø6,2 Connection for pop-up rod Ø6,2 Gelenksueck 1/Zugstange Ø6,2 Jonction x lige vidage Ø6,2	ZZ 92622 0			

AA.6

AA000510

<https://www.cisal.it/miscelatore-lavabo-arcana-america-aa000510>

2026-03-13