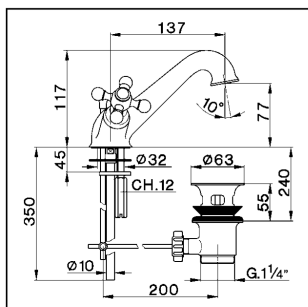


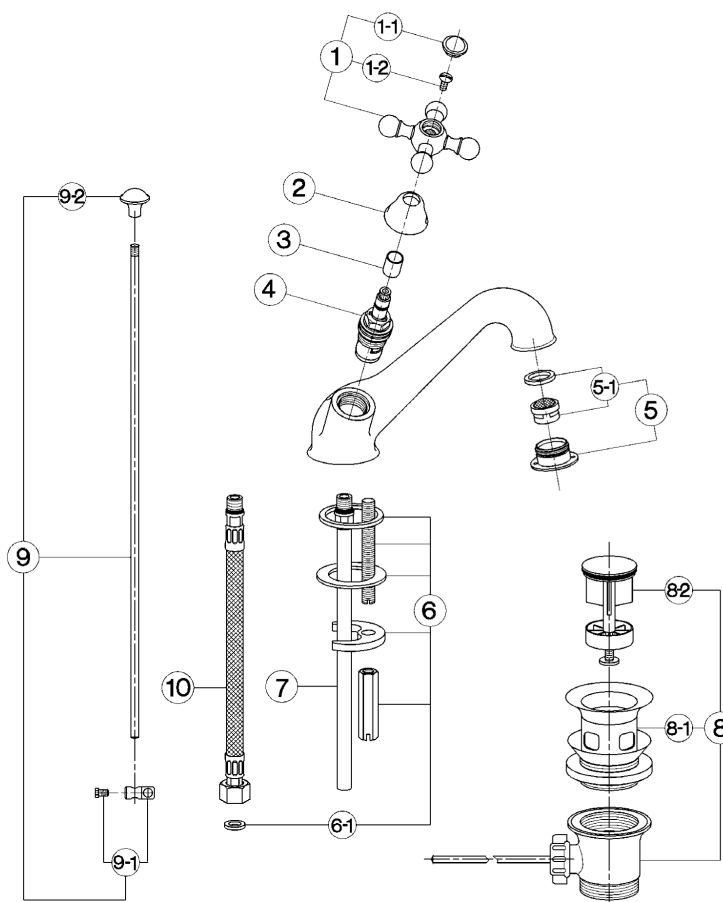
Miscelatore lavabo ARCANA CERAMIC_AC000510

cisal

AC 00051



- Monoforo lavabo
- Single hole basin mixer
- Einloch-Waschtischbatterie
- Mélangeur monotrou lavabo



bar	PORTATA BOCCA DI EROGAZIONE * SPOUT FLOW RATE DURCHFLOSS WANNENEINLAUF DEBIT BEC DEVERSEUR l/min.
0.5	10
1	13.5
2	19
3	24
4	27.5
5	30.5

* con resistenza silenziosa della classe di portata B (25.2 l/min. a 3 bar)
with hydraulic resistance of flow rate class B (25.2 l/min. at 3 bar)
mit geräuscharmen Widerstand der Durchflussklasse B (25.2 l/min. bei 3 bar)
avec aérateur classe B (25.2 l/min. à 3 bar)

NR.	DESCRIZIONE DESCRIPTION BESCHREIBUNG DESCRIPTION	N. CODICE CODE NO. WERKSNR. NR. CODE	NR.	DESCRIZIONE DESCRIPTION BESCHREIBUNG DESCRIPTION	N. CODICE CODE NO. WERKSNR. NR. CODE	NR.	DESCRIZIONE DESCRIPTION BESCHREIBUNG DESCRIPTION	N. CODICE CODE NO. WERKSNR. NR. CODE
1	Maniglia "AR" con vite e placchetta Handle with screw and plate "AR" Griff "AR" mit Schraube und Abdeckkappe Crosillon avec vis et plaquette "AR"	ZZ 90307 0	5	Bordino con aeratore M. 24x1 "AR" Overfill with moussur M.24x1 "AR" Perlator M.24x1 "AR" Garniture avec moussur M.24x1 "AR"	ZZ 92785 0	8-1	Piletta per scarico automatico 1" 1/4 Waste for bath drain 1" 1/4 Ablauf / Abflaugarnitur 1" 1/4 Crépine pour vidage 1" 1/4	ZZ 92924 0
1-1	Placchetta a vite maniglia "AR" Cap for handle "AR" Abdeckkappe "AR" Griff Plaque cache - vis crois. "AR"	ZZ 92617 0	5-1	Cartuccia per aeratore M. 24x1 Moussur cartridge M.24x1 Kart. 1/Perlator M.24x1 Cartouche x moussur M.24x1	ZZ 92695 0	8-2	Tappo completo scarico automatico 1" 1/4 Plug for pop-up waste 1" 1/4 Stöplern / Abflaug. kpl 1" 1/4 Bonde - vidage 1"1/4	ZZ 92925 0
1-2	Vite M.4,5x10 tb. tc. zigrinata Screw M.4,5x10 Schraube M.4,5x10 Vis M.4,5x10	ZZ 92609 0	6	Set installazione monocomando monoforo Installation set single hole Befestigungsset Set installation	ZZ 92851 0	9	Astina scarico completa Ø6 Rod Ø6 Zugstange Ø6 Tige Ø6	ZZ 92759 0
2	Cappuccio coprivite Ø32 H.21 "AC" Escutcheon Ø32 H.21 "AC" headvalve Abdeckkappe Ø32 H.21 "AC" Rosace couvre-tête Ø32 H.21 "AC"	ZZ 92652 0	6-1	Guarnizione fibre 3/8" Gasket rubber 3/8" Fiberdichtung 3/8" Joint en fibre 3/8"	ZZ 92696 0	9-1	Morsetto astina scarico automatico Ø6,2 Connection for pop-up rod Ø6,2 Gelenkstück / Zugstange Ø6,2 Jonction x tige vidage Ø6,2	ZZ 92622 0
3	Tubetto coprivite "AR" H.15,5 Sliding cover tube "AR" H.15,5 Abdeckkappe Oberteil "AR" H.15,5 Tube couvre-tête "AR" H.15,5	ZZ 92619 0	7	Tubetto monoforo "SU" con O.R. Tube with O.R. "SU" Anschlussrohle mit O.R. "SU" Tube "SU" avec O.R.	ZZ 92838 0	9-2	Pomolo per scarico automatico "AR" Knob for pop-up rod "AR" Zugknopf / Abflaugarn. "AR" Pommeau - tige "AR"	ZZ 92624 0
4	Vitone ceramico DX per monofori e gruppi "AC" Ceramic headvalve 1/2" right "AC" -short Keramikoberteil 1/2" rechts "AC" - kurz Tête céramique 1/2" droite "AC" - courte	ZZ 92858 0	8	Scarico automatico 1" 1/4 sabbato Pop-up waste 1" 1/4 Abflaugarnitur 1" 1/4 Vidage automat. 1"1/4	ZZ 92754 0	10	Flessibile M.11x1 3/8" L.365 Flex M.11x1 3/8" L.365 Anschlusschlauch M.11x1 3/8" L.365 Flex M.11x1 3/8" L.365	ZZ 92842 0

AC.6

AC000510

<https://www.cisal.it/miscelatore-lavabo-arcana-ceramic-ac000510>

2026-05-03