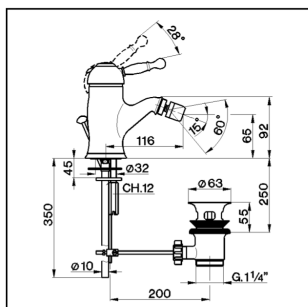


Miscelatore monocomando bidet ARCANA ROYAL_AY000550

cisal

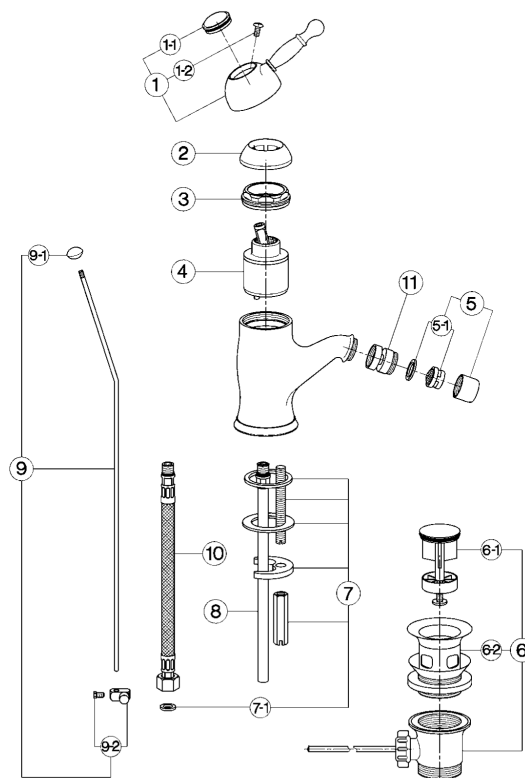
AY 00055



- Monocomando bidet
- Single lever bidet mixer
- Einhand-Bidetbatterie
- Mitigeur bidet

| bar | PORTATA BOCCA DI EROGAZIONE * SPOUT FLOW RATE DURCHFLOSS WANNENEINLAUF DEBIT BEC DEVERSEUR l/min. |
|-----|---|
| 0.5 | 6 |
| 1 | 8 |
| 2 | 11.5 |
| 3 | 13.5 |
| 4 | 15.5 |
| 5 | 17.5 |

* con resistenza silenziosa della classe di portata A (15 l/min. a 3 bar)
with hydraulic resistance of flow rate class A (15 l/min. at 3 bar)
mit geräuscharmen Widerstand der Durchflussklasse A (15 l/min. bei 3 bar)
avec aérateur classe A (15 l/min. à 3 bar)



| NR. | DESCRIZIONE DESCRIPTION BESCHREIBUNG DESCRIPTION | N. CODICE CODE NO. WERKSNR. NR. CODE | NR. | DESCRIZIONE DESCRIPTION BESCHREIBUNG DESCRIPTION | N. CODICE CODE NO. WERKSNR. NR. CODE | NR. | DESCRIZIONE DESCRIPTION BESCHREIBUNG DESCRIPTION | N. CODICE CODE NO. WERKSNR. NR. CODE |
|-----|---|---|-----|--|---|-----|--|---|
| 1 | Leva monocomando "AY" Lever "AY" Hebel "AY" Levier "AY" | ZZ 90370 0 | 6-1 | Tappo completo scarico automatico 1" 1/4 Plug for pop-up waste 1" 1/4 Stopfen 1/Ablauf, kpl 1" 1/4 Bonde - vidage 1"1/4 | ZZ 92925 0 | 11 | Snodo per bidet M.22x1 Joint for bidet M.22x1 Gelenkstück 1/Bidet M.22x1 Rotule pour bidet M.22x1 | ZZ 92780 0 |
| 1-1 | Piacchetta per leva "AY" Cap for lever "AY" Abdeckkappe 1/Hebel "AY" Plaquette levier "AY" | ZZ 93048 0 | 6-2 | Piletta per scarico automatico 1" 1/4 Waste for bath drain 1" 1/4 Ablauf 1/Ablautgarnitur 1" 1/4 Crépine pour vidage 1" 1/4 | ZZ 92924 0 | | | |
| 1-2 | Vite M.4,5x15 tb. tc. Screw M.4,5x15 Schraube M.4,5x15 Vis M.4,5x15 | ZZ 92641 0 | 7 | Set installazione monocomando monotero Installation set single hole Befestigungsset Set installation | ZZ 92851 0 | | | |
| 2 | Copricartuccia senza ideogrammi Escutcheon cartridge without ideogram Abdeckkappe ohne Ideogramm Couvre-cartouche sans ideogramme | ZZ 92718 0 | 7-1 | Guarnizione fibra 3/8" Gasket rubber 3/8" Fiberdichtung 3/8" Joint en fibre 3/8" | ZZ 92696 0 | | | |
| 3 | Calotta bloccaggio cartuccia piccola Nut for mixing valve-small Mutter 1/Kartusche Ecrou pour cartouche | ZZ 92603 0 | 8 | Tubetto monotero "SU" con O.R. Tube with O.R. "SU" Anschlussrohre mit O.R. "SU" Tube "SU" avec O.R. | ZZ 92838 0 | | | |
| 4 | Cartuccia monocomando piccola Mixing valve - small size Kartusche Cartouche mitigeurs | ZZ 92909 0 | 9 | Astina scarico completa Ø4 Rod Ø4 Zugstange Ø4 Tige Ø4 | ZZ 92044 0 | | | |
| 5 | Aeratore M.22x1 IA Cascade Mousseur M.22x1 IA Cascade Perlator M.22x1 IA Cascade Mousseur M.22x1 IA Cascade | ZZ 93345 0 | 9-1 | Pomolo per scarico automatico Knob for pop-up rod Zugknopf Ablaufger. Pommeau - tige | ZZ 92644 0 | | | |
| 5-1 | Cartuccia per aeratore M. 22x1 Cascade Mousseur cartridge M.22x1 Cascade Kart. 1/Perlator M.22x1 Cascade Cartouche x mousseur M.22x1 Cascade | ZZ 93339 0 | 9-2 | Morsetto snodato per astina Ø5,2 Connection for pop-up rod Ø5,2 Gelenkstueck 1/Zugstange Ø5,2 Jonction x lige vidage Ø5,2 | ZZ 92614 0 | | | |
| 6 | Scarico automatico 1" 1/4 sabbato Pop-up waste 1" 1/4 Ablaufgarnitur 1" 1/4 Vidage automat. 1"1/4 | ZZ 92754 0 | 10 | Flexibile M.11x1 3/8" F L.365 Flex M.11x1 3/8" L.365 Anschlussschlauch M.11x1 3/8" L.365 Flex M.11x1 3/8" L.365 | ZZ 92842 0 | | | |

AY.6

AY000550

<https://www.cisal.it/miscelatore-monocomando-bidet-arcana-royal-ay000550>

2025-06-16