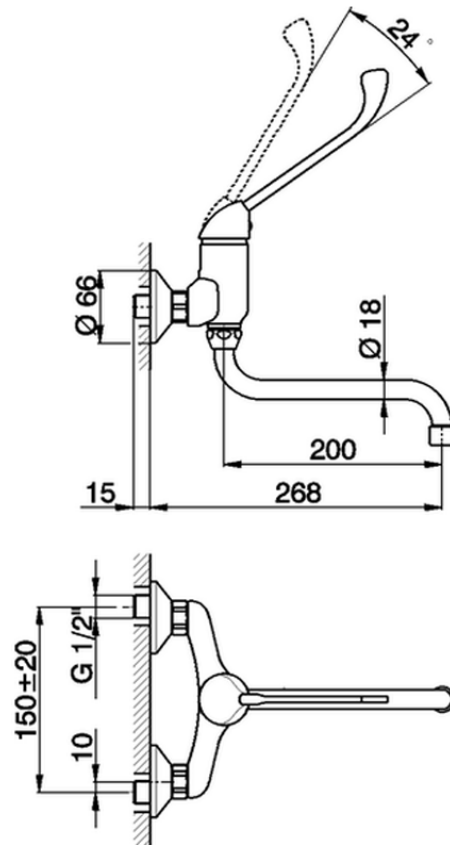


Miscelatore monocomandoavello a parete CLINIC_CL000401



CL000401

<https://www.cisal.it/miscelatore-monocomando-lavello-a-parete-clinic-cl000401>

2026-06-23