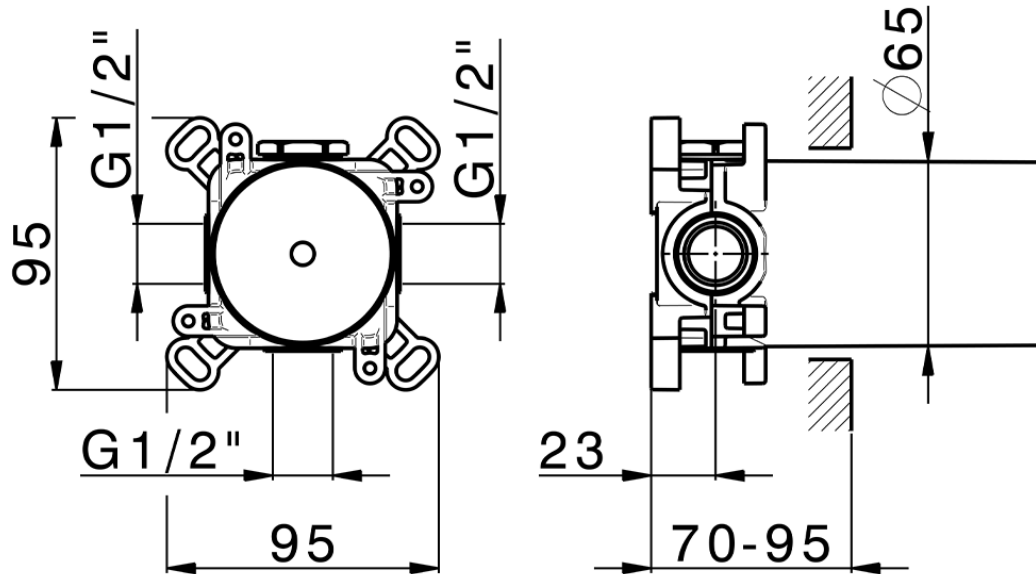


**Parte incasso Push&Shower PUSH&SHOWER\_ZA0G6000**

ZA0G6000

<https://www.cisal.it/parte-incasso-pushshower-pushshower-za0g6000>

2026-04-14