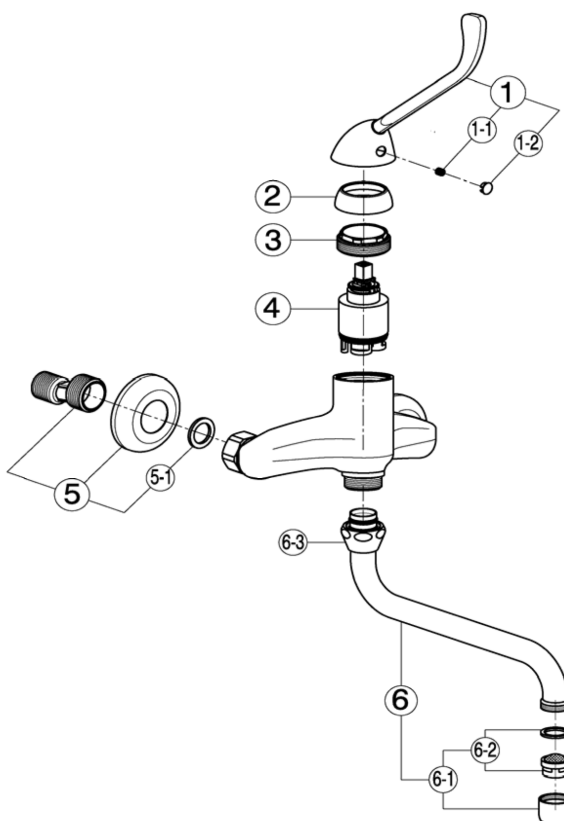
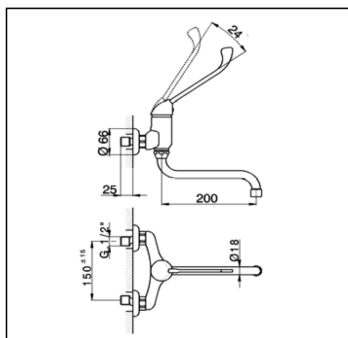


Miscelatore monocomandoavello a parete KITCHEN_CL000401

cisal

CL 00040



| NR. | DESCRIZIONE DESCRIPTION BESCHREIBUNG DESCRIPTION | N.CODICE CODE NO. WERSKNR. NR.CODE | NR. | DESCRIZIONE DESCRIPTION BESCHREIBUNG DESCRIPTION | N.CODICE CODE NO. WERSKNR. NR.CODE | NR. | DESCRIZIONE DESCRIPTION BESCHREIBUNG DESCRIPTION | N.CODICE CODE NO. WERSKNR. NR.CODE |
|-----|---|---|-----|--|---|-----|---|---|
| | Leva monocomando "CL" | | | Eccentrico con rosone | | | | |
| 1 | Lever "CL" Hebel "CL" Levier "CL" | ZA005020 | 5 | Excentric connection with escutcheon S - Anschluss m.Rosette Excentrique + rosace | ZZ927300 | | | |
| | Grano punta coppa inox M.5x6 | | | Guarnizione NBR 90 SH. 24x16x2,7 | | | | |
| 1-1 | Screw-stainless steel M.5x6 Madenschraube M.5x6 Vis speciale inox M.5x6 | ZZ940630 | 5-1 | Gasket NBR 90 SH. 24x16x2,7 Dichtung NBR 90 SH. 24x16x2,7 Joint NBR 90 SH. 24x16x2,7 | ZZ926890 | | | |
| | Piacchetta per leva | | | Canna a S Ø18 interasse 200 | | | | |
| 1-2 | Cap for lever Abdeckkappe f/Hebel Plaqueette levier | ZZ927100 | 6 | Swinging spout 200 Ø18 Auslauf-Rohr-S-200 Ø18 Bec orientable 200 Ø18 | ZZ928220 | | | |
| | Copricartuccia senza ideogrammi | | | Aeratore M.22x1 IA | | | | |
| 2 | Escutcheon cartridge without ideogram Abdeckkappe ohne Ideogramm Couvre-cartouche sans ideogramme Calotta bloccaggio cartuccia | ZZ940650 | 6-1 | Mousseur M.22x1 IA Perlator M.22x1 IA Mousseur M.22x1 IA | ZZ928350 | | | |
| | Nut for mixing valve | | | Cartuccia per aeratore M. 22x1 | | | | |
| 3 | Mutter f/kartusche Ecrou pour cartouche | ZZ940660 | 6-2 | Mousseur cartridge M.22x1 Kart.f/Perlator M.22x1 Cartouche x mousseur M.22x1 | ZZ927080 | | | |
| | Cartuccia monocomando | | | Calotta 3/4" es.29 Ø19,5 | | | | |
| 4 | Mixing valve Kartusche Cartouche mitigeurs | ZZ940340 | 6-3 | Nut 3/4" Ø19,5 Mutter 3/4" Ø19,5 Ecrou 3/4" Ø19,5 | ZZ926150 | | | |

CL000401

<https://www.cisal.it/miscelatore-monocomando-lavello-a-parete-kitchen-cl000401>

2026-07-05