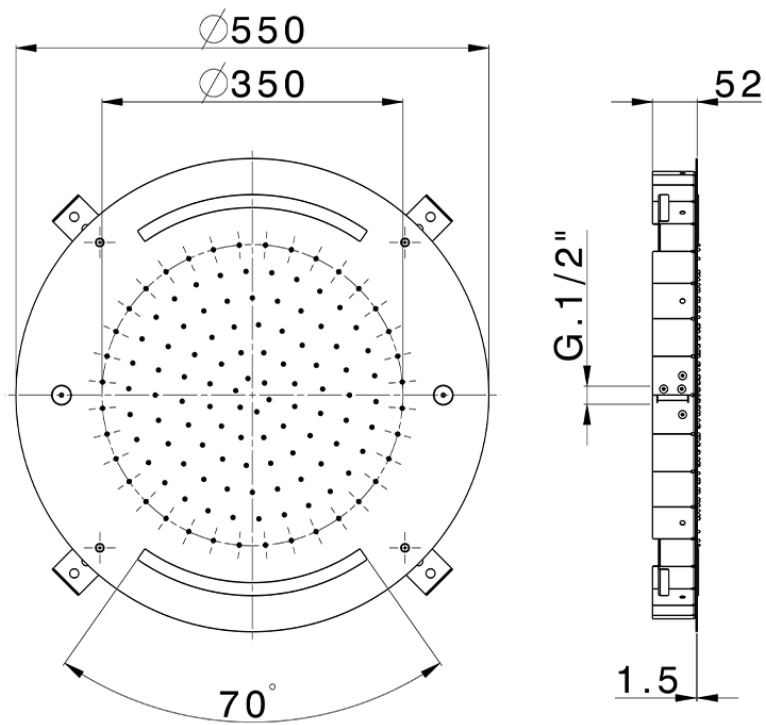


Soffione a soffitto con cromoterapia Ø 550 mm WELLNESS_ZS0C0045



ZS0C0045

<https://www.cisal.it/soffione-a-soffitto-con-cromoterapia-o-550-mm-wellness-zs0c0045>

2026-06-27