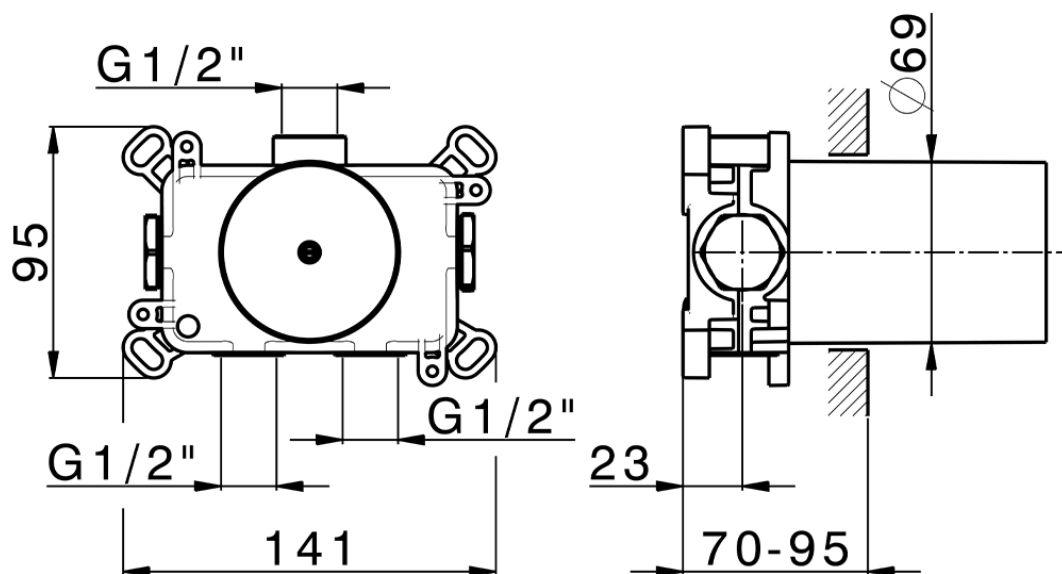


Parte incasso termostatico PUSH&SHOWER_ZA0G1000

ZA0G1000

<https://www.cisal.it/parte-incasso-termostatico-pushshower-za0g1000>

2026-04-14