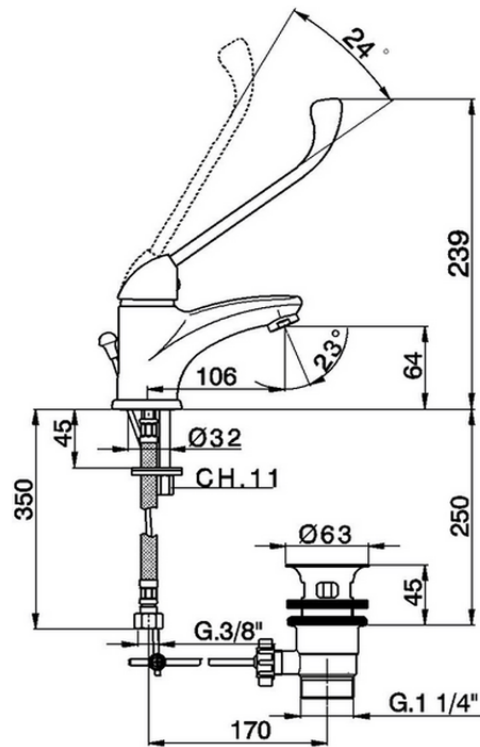


Miscelatore monocomando lavabo CLINIC_CL000512

CL000512

<https://www.cisal.it/miscelatore-monocomando-lavabo-clinic-cl000512>

2026-05-09